



# ECT2000 SMART Short Circuit Tracer (PPECT2000)

## Overview

### Power Probe “Smart” ECT2000

The “SMART” ECT2000 makes locating short and open circuits easier than ever before.

The ECT2000 detects and alerts you to short and open circuits. You can also wiggle and flex wires or connectors to detect intermittent circuit conditions.

The 2 main tools in the kit are the “SMART” transmitter and the “SMART” receiver.

The “SMART” receiver’s “sensitivity adjustment” keeps you on the right circuit and ignores the unnecessary weaker signals. It also shows you the direction to the short circuit, eliminating the guesswork.

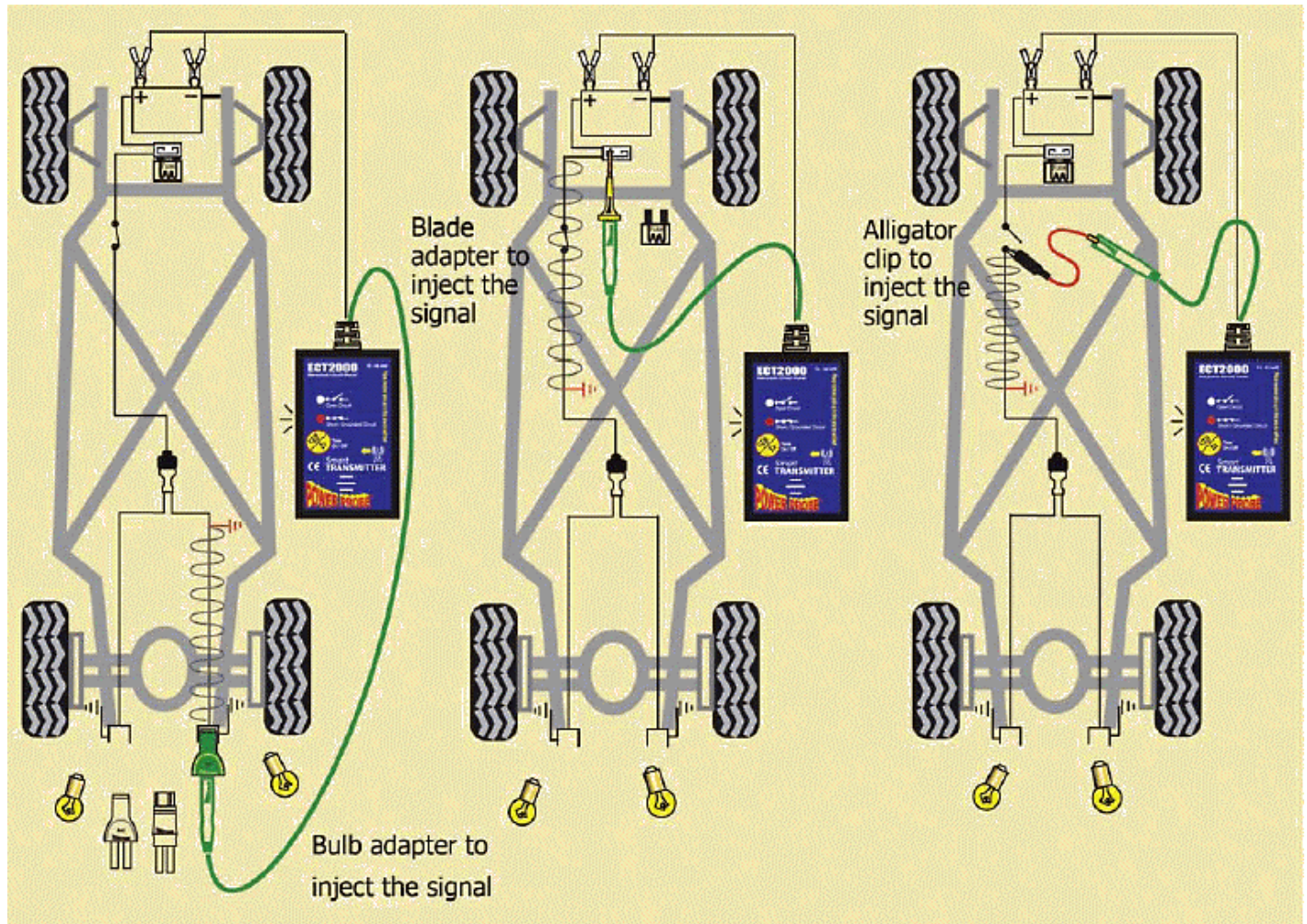
It’s NEW 20 ft power lead reaches throughout the vehicle. And the set comes with adapters that make connecting to any circuit quick and easy.

## Contents

- 2 AAA batteries
- Transmitter and Receiver
- Battery Hook-up ClipSet
- 3 Bulb Adapters
- Universal Wire w/Jack
- Blade Probe
- Back Probe
- Piercing Probe
- Alligator Clip Set
- Instruction Manual/DVD

## Application Notes

### How do I connect the ECT2000 to the vehicle?



Included in the ECT-2000 are the following connection accessories.

- Alligator Clip: for connecting onto any conductor such as a wire or a terminal.
- Blade Probe: for tapping into fuse socket terminals and connectors.
- Back Probe: for back probing connectors.
- Piercing Probe: for tapping into wires by piercing through the insulation.
- Light Bulb Socket Adapters: 3 common types for connecting easily to light bulb socket terminals. There are times when the short or open tail or brake light circuit is located nearer to the bulb socket. It is here where you may find it much easier to diagnose the circuit by injecting a signal into the light socket directly.
- Universal Wire Adapter: for making your own custom connector.